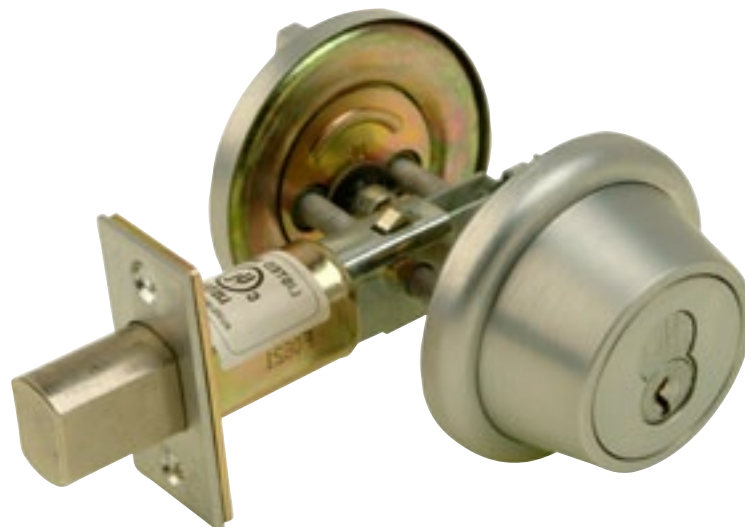


DEADBOLT SERIES



SmartLoc Deadbolt Series

Single Cylinder Deadbolts



SL1D-26D



SL1D-IC-26D

SmartLoc Deadbolt Series

Single Cylinder Deadbolts



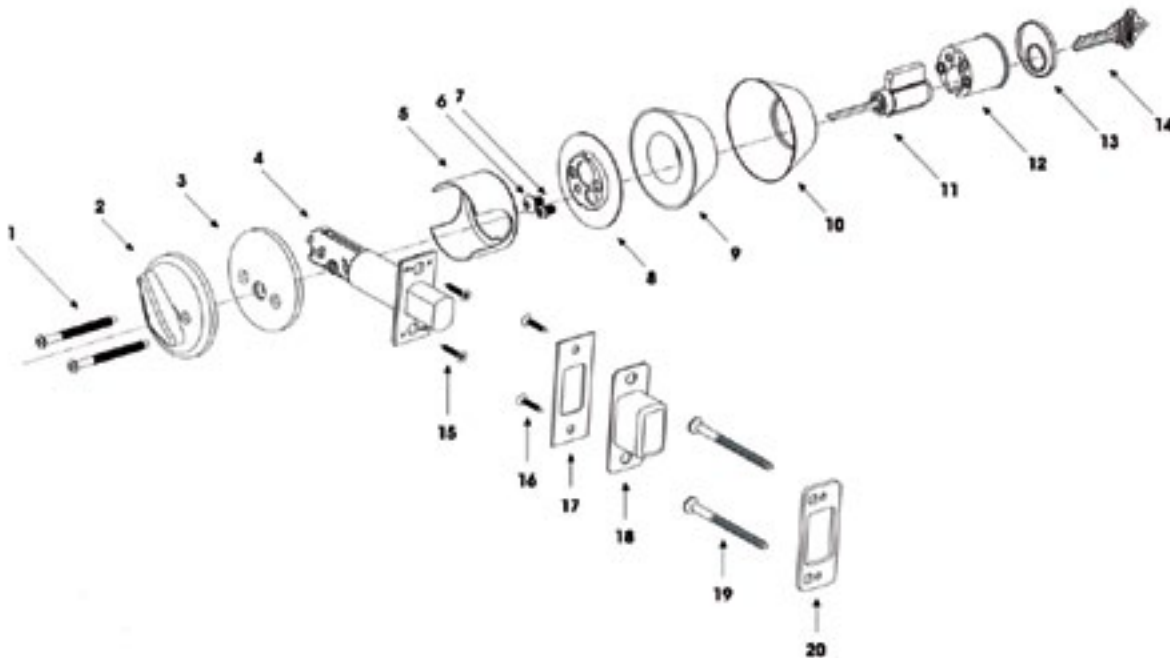
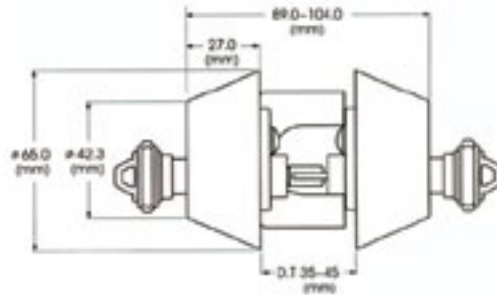
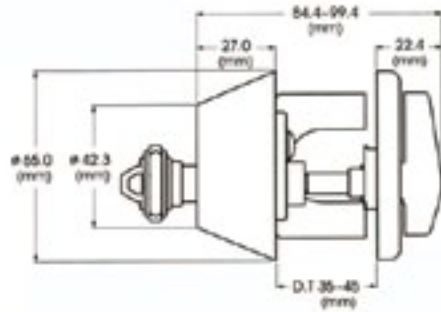
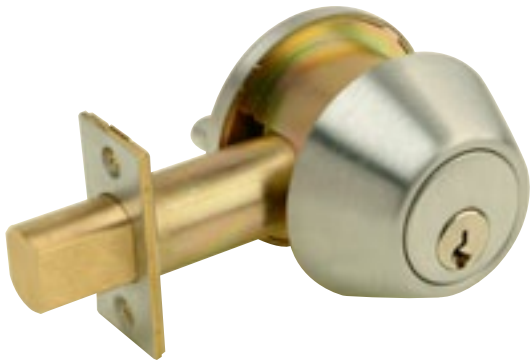
SL1D-26D
Grade I Commercial Deadbolt

Specifications

Applications	For commercial, institutional and residential uses
Handing	Non-handed
For Doors	1 3/8" to 1 3/4" (35mm to 45mm) standard 1 3/4" to 2 1/4" (45mm to 58mm) optional Consult factory for other door ranges
Backset	2 3/4" (70mm) standard 2 3/8"(60mm) optional
Front	Brass, Bronze or Stainless steel ; 2 1/4" X 1 1/8" Adjustable for Flat or Beveled doors 1/8" in 2"
Strike	Brass, Bronze or Stainless steel ; D/B strike standard D/B Radius, IC D/B, Small D/B strikes optional
Deadbolt	Solid brass with hardened steel pin insert, 1" throw
Keys	Two, Brass
Cylinder	Brass, Schlage 6 keyway standard Weiser, Arrow, Lockwood, Kwikset optional
Masterkeying	Can be Masterkeyed or Grand Masterkeyed Available
Finishes	3, 4, 10, 10B, 26, 26D, 32, 32D
Split Finishes	Outside, Front & Strike finished to match inside trim Unless otherwise specified
UL /cUL	Listed for use on fire doors (3 Hour Rated)

SmartLoc Deadbolt Series

Grade II Deadbolt Series
SmartLoc SL2D-26D



SmartLoc Deadbolt Series

Grade III Deadbolt Series



SL3D-26D

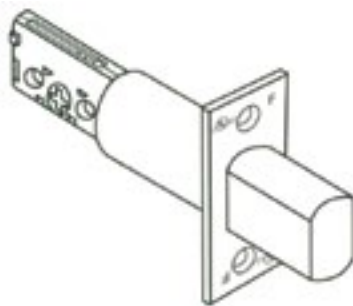
Available SL3D Series
Finishes 3, 4, 10, 10B, 26, 26D, 32, 32D

Latches & Strikes

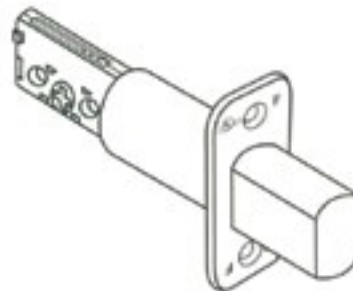
Latches

Backset	Descriptions (Square Corner standard)	Part Number
2 3/8" (60mm)	1 1/8" (29mm) × 2 1/4" (57mm)	WD / 60
2 3/4" (70mm)	1 1/8" (29mm) × 2 1/4" (57mm)	WD / 70
Round Corner Latches optional		

Square Corner
Deadbolt

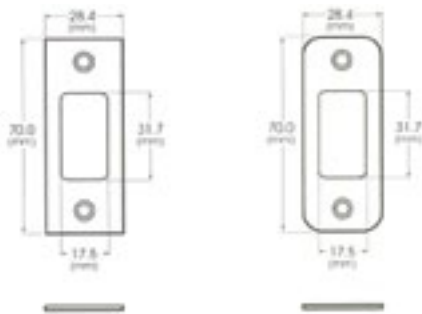


Round Coner
Deadbolt

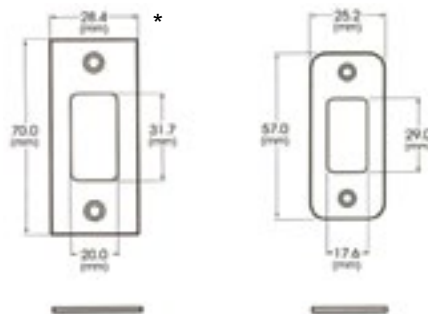


Strikes

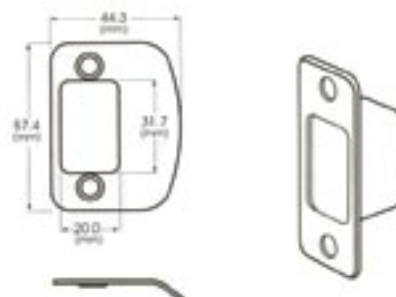
Standard D/B Strike



D/B Radius Strike(* Standard)



U204 Full-lip Strike Dust Box





SmartLoc Technology

10125 S. 52nd Street

Franklin, WI 53132

Tel: (888) 651-LOCK

Fax: 414-858-9340

Sales@SmartLocWorld.com

www.SmartLocWorld.com